

# Miter Saw Extension Kit

The Miter Saw Extension Kit can be mounted to the fence face of all popular Miter / Chop Saws with the mounting T-Slot up as shown in Figure 1 and Detail 1 or with the mounting T-Slot down as shown in Figure 2 and Detail 2.

Figure 1

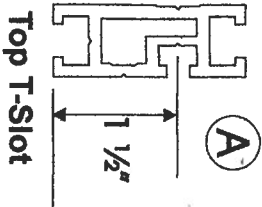
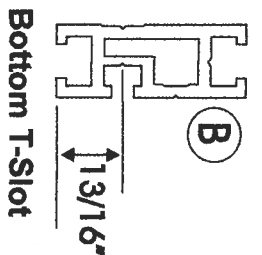


Figure 2



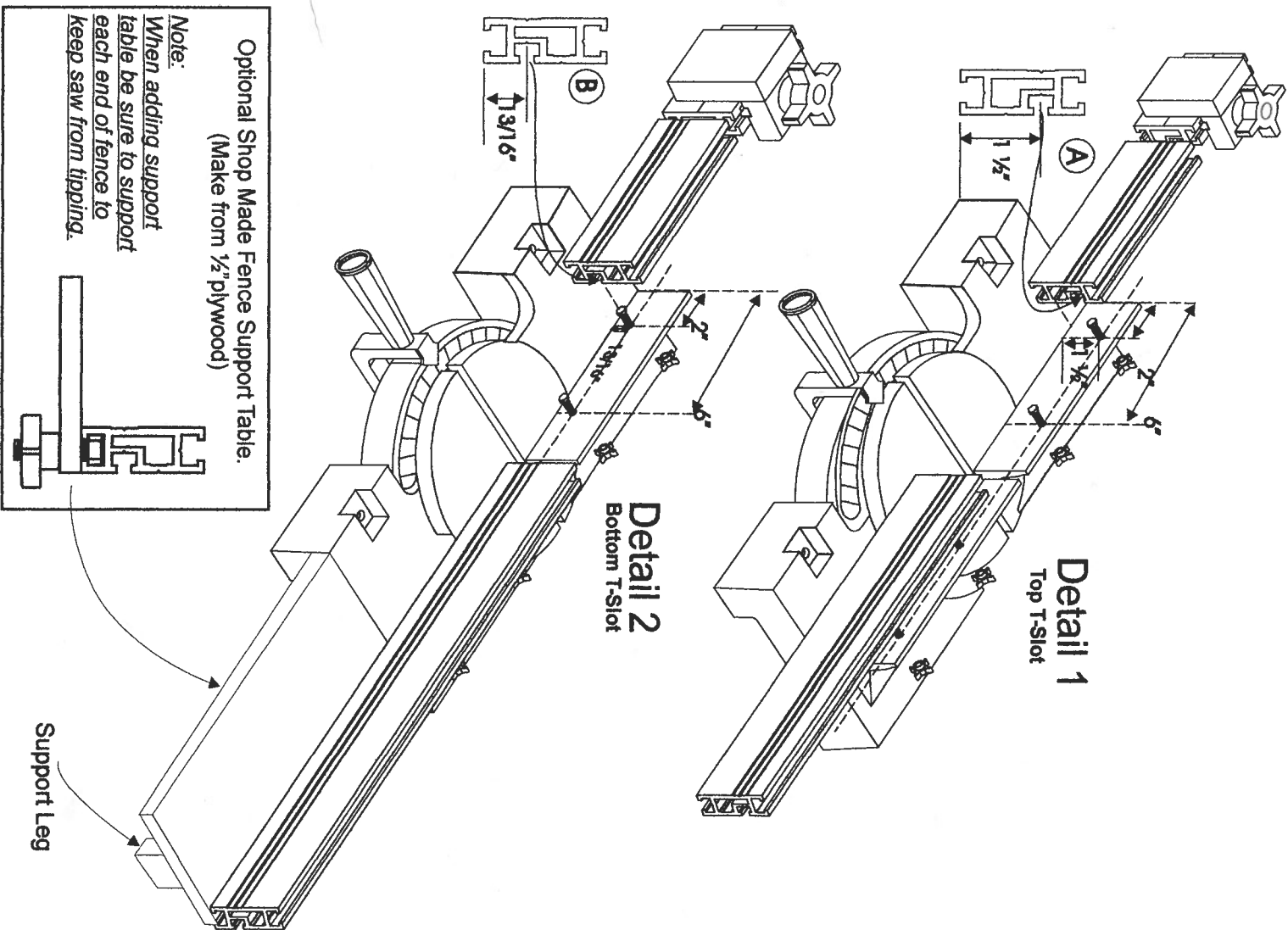
## Mounting Instructions

1. Determine the proper drilling locations as shown in Detail 1 and Detail 2 depending on the height and spacing of your Saw Fence (T-Slot up or T-Slot down).
2. Measure and place a mark 2" and 6" from the outside edge of both fence sections 1 1/2" up from the miter saw table top for mounting the fence with the mounting T-Slot up or 1 3/16" up from the miter saw table for the mounting T-Slot down.  
*Note: Insure the are no casing ribs other obstructions on the back of the fence at these locking locations. if so adjust left or right so that there will be a flat spot for the locking knob to tighten against the fence back.*
3. Drill a 1/4" hole through the saw fence on each mark.
4. Insert a 1/4" bolt through the fence at each hole with the bolt hex head facing out. Install a locking knob on each bolt from the back side of the fence. Tighten the locking knob leaving approx. 1/4" of bolt thread showing to the front of the fence.
5. Slide the Miter-T-Fence sections mounting T-Slot over the 1/4" hex heads of the bolts until the fence is positioned properly the tighten locking knobs to secure the Miter-T-Fence

### !!! Warning !!!

**Check to insure that the Miter Saw Blade will not contact either the left or right Miter-T-Fence sections or the steel extender bar before operating the saw.**

**MIGHT-T-TRACK**  [www.ttrackusa.com](http://www.ttrackusa.com)



Optional Shop Made Fence Support Table.  
(Make from 1/2" plywood)

**Note:**  
When adding support table be sure to support each end of fence to keep saw from tipping.

Support Leg

# Miter-T-Fence™

## Mounting Instructions

Miter-T-Fence™ will improve the accuracy of your miter cuts and provides support close to the blade to eliminate tear out. Designed to bolt on your existing miter gauge. Our Miter-T-Fence™ Increases your face of the miter gauge to 2 5/16" high by 22" long with built in extension bar witch increases capacities up to 36" in length for reparative cuts. Made from precision extruded aluminum with smooth anodized coating for long life and easy adjustments. Made in U.S.A

## Mounting Methods

### Method One:

1. Cut a block of wood 3/4" thick and 2 1/4" high and 4" longer than the face of your miter gauge.
2. Drill two 1/4" holes in your mounting block 1 1/2" f from the bottom and 1" in from either end.
3. Mark a centerline on the board and on the miter gauge face and line the two up mounting the board to the miter gauge with wood screws. (Note: Because miter gauges vary in thickness screws are not included.)
4. Slide the two 1/4" hex bolts in the T-Slot in the back of the Miter-T-Fence™ and threw the two holes in the mounting block and lock in place with two knobs or wing nuts.

SEE FIGURE A

### Method Two:

1. Find and mark the center of your miter gauge face
2. Measure and mark one inch from the left of the center and one inch from the right of center and 1 1/2" up from the bottom of the miter gauge face
3. Drill a 1/4" hole on each of those marks
4. Slide the two 1/4" hex bolts in the T-Slot in the back of the Miter-T-Fence™ and threw the two holes you drilled in the miter gauge face and lock in place with two knobs or wing nuts.

SEE FIGURE B

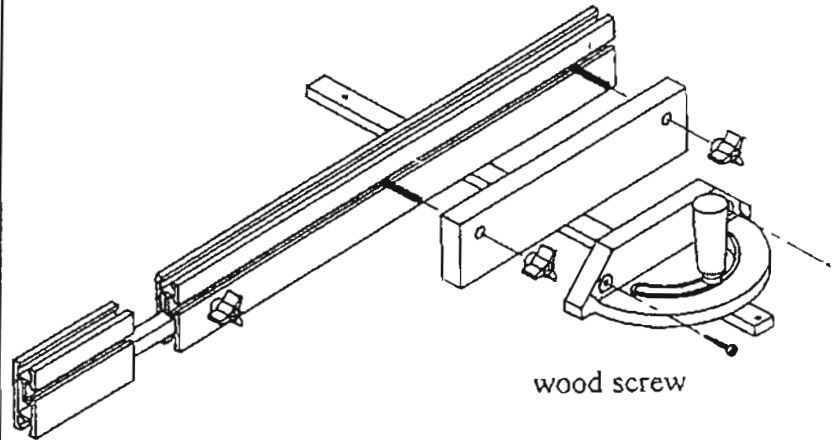
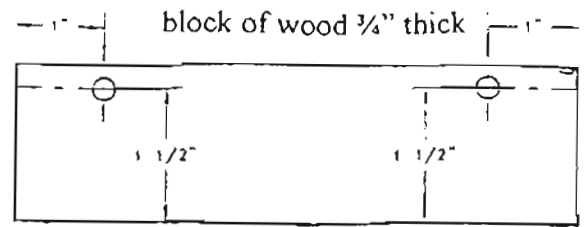


FIGURE A

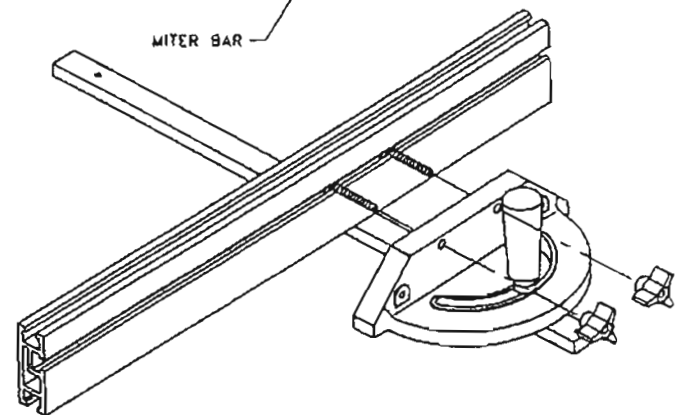
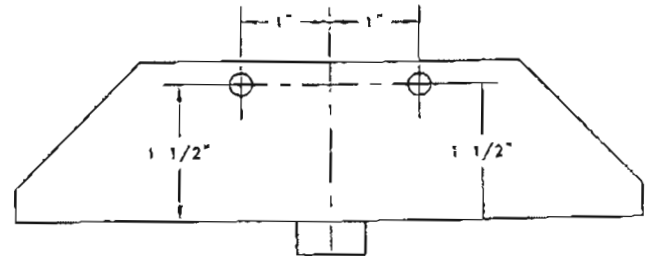


FIGURE B



P.O. Box 421905  
Atlanta, GA 30342